



Americlad® AC-4300 Formed Flush Glaze Infill Panel
www.Americlad.com
1-866-260-4047

MANUFACTURER:
Quality Metalcrafts, LLC
21925 Industrial Blvd.
Rogers, MN 55374
Telephone: (866) 260-4047
Fax: (763) 255-3399
Email: info@americlad.com

**Americlad AC-4300
Formed Flush Glaze
Infill
Panel System**

SECTION 07 42 00 / 08 44 00 FLUSH GLAZE INSULATED METAL INFILL PANEL

PART 1 – GENERAL

1.1 RELATED DOCUMENTS

- A. The drawings and provisions of the General Conditions, and the sections included under Division 1 specification sections, apply to this section

1.2 SUMMARY

- A. This section includes insulated metal infill panels that are used as the exterior and interior cladding

1.3 PERFORMANCE REQUIREMENTS

- A. Design panel system to accommodate tolerance of plus or minus 1/16" in overall panel thickness and plus or minus 1/8" in any direction
- B. Structural Performance: provide exterior and interior wall cladding assemblies to meet effects of load and stresses from wind loads

1.4 SUBMITTALS

- A. Product Data: Manufacturer's product literature
- B. Manufacturer's standard color charts
- C. Finish Samples: submit color samples for final approval
- D. Shop Drawings: submit shop drawings showing plans, sections and details



Americlad® AC-4300 Formed Flush Glaze Infill Panel
www.Americlad.com
1-866-260-4047

1.5 QUALITY ASSURANCE

- A. Manufacturer Qualifications: Minimum of five years' experience in manufacturing of metal wall panel products
- B. Installer Qualifications: Acceptable to manufacturer

1.6 DELIVERY, STORAGE AND HANDLING

- A. Delivery: deliver metal panels in manufacturer's crates packed for long haul transit
- B. Storage: store materials in a dry and safe area
- C. Handling: handle materials to avoid any damage to materials and finishes

1.7 WARRANTY

- A. The contractor must warrant the materials to be free of defects in accordance with the general conditions. Finish warranty shall be extended by paint manufacturer's standard warranty

PART 2 – PRODUCTS

2.1 MANUFACTURER

- A. Quality Metalcrafts, LLC/AMERICLAD, 21925 Industrial Boulevard, Rogers, Minnesota 55374, Telephone: (866) 260-4047, www.americlad.com
 - 1. AC-4300 Formed Flush Glaze Infill Panel System
- B. Approved equal submitted for approval 10 days prior to bid

2.2 MATERIALS

- A. Aluminum Sheet: ASTM B209, Aluminum Association specification
 - 1. 3003-H14/3105-H14/5052-H32 for painted finishes
 - 2. 5005-H34 for anodized finish
- B. Thickness: Varies
- C. Exterior Skin shall be _____. (Specify). Color shall be _____ (Specify)
- D. Stabilizer sheet under both faces shall be 1/8" tempered hardboard
- E. Core shall be 2.5# density Expanded Polystyrene Foam or Isocyanurate Foam (Specify)
- F. Interior Skin shall be _____(Specify). Color shall be _____(Specify)

2.3 FABRICATION

- A. Tolerances
 - 1. Width and Length to be plus or minus 1/8"
 - 2. Thickness to be plus or minus 1/16"



Americlad® AC-4300 Formed Flush Glaze Infill Panel
www.Americlad.com
1-866-260-4047

- B. Panel surfaces shall be free from defects, scratches or marks caused during fabrication

2.4 ACCESSORIES

- A. Installer shall supply all materials required for installation

2.5 FINISHES

A. Coil Painted:

1. Coating shall be a Coil Applied Fluorocarbon Resin Utilizing a 70% Kynar 500/Hylar 5000 resin
2. Color as selected by owner from Americlad's standard colors Chart
3. Material to be painted in accordance with either AAMA 621-02

B. Paint:

1. Coating shall be a Spray Applied Fluorocarbon Resin Utilizing a 70% Kynar 500/Hylar 5000 resin
2. Color as selected by owner from paint manufacturer's standard colors or Custom color as specified
3. Material to be painted in accordance with either AAMA specification 2605 or 2604

C. Anodized:

1. Clear Anodic Finish: mechanical finish, nonspecular as fabricated. Coating to have an anodic coating
2. Color Anodic Finish: mechanical finish, nonspecular as fabricated. Color to be determined by Owner.

PART 3 – EXECUTION

3.1 PREPARATION

- A. Coordinate drawings, diagrams, and instructions for installation

3.2 INSTALLATION

- A. Setting blocks should be at quarter points of each panel and in a width equal or larger than the panel thickness
- B. Panels to be sealed with Class A grade sealants
- C. Weep holes for frame assemblies to accommodate proper draining
- D. The entire panel perimeter should be engaged into the framing system to allow a minimum of 1/2"
- E. A minimum of 1/4" of clearance must be maintained around the panel perimeter



Americlad® AC-4300 Formed Flush Glaze Infill Panel
www.Americlad.com
1-866-260-4047

3.3 CLEANING AND PROTECTION

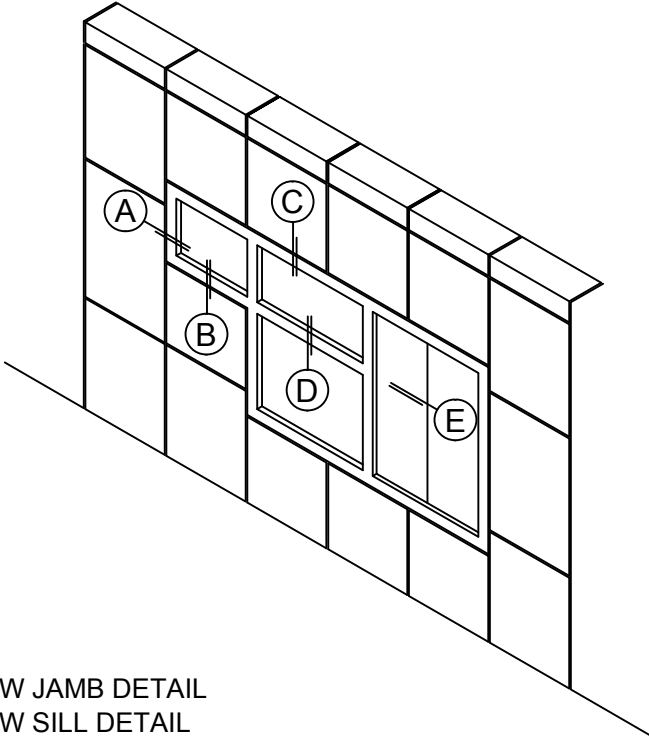
- A. Clean exposed surfaces after installation per manufacturer's recommendation
- B. Touch up minor abrasions in finish with touch up paint supplied by finish applicator

END OF SECTION



AC-4300

ALUMINUM INSULATED FORMED FLUSH INFILL PANEL SYSTEM



- (A) WINDOW JAMB DETAIL
- (B) WINDOW SILL DETAIL
- (C) WINDOW HEAD DETAIL
- (D) WINDOW INTERMEDIATE DETAIL
- (E) BUTT JOINT DETAIL

COPYRIGHT QUALITY METALCRAFTS, LLC

21925 Industrial Boulevard · Rogers, Minnesota · Toll-Free: 1-866-260-4047 · americlad.com

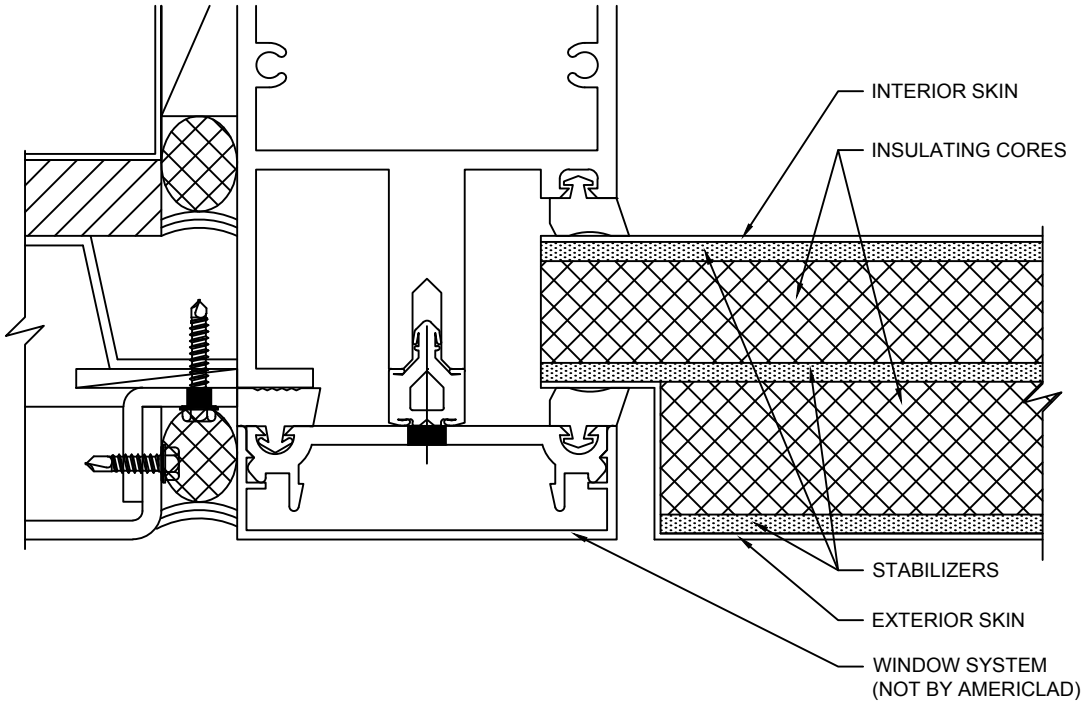
Architectural Metal Products



AC-4300

WINDOW JAMB DETAIL

DETAIL A



COPYRIGHT QUALITY METALCRAFTS, LLC

21925 Industrial Boulevard · Rogers, Minnesota · Toll-Free: 1-866-260-4047 · ameri clad.com

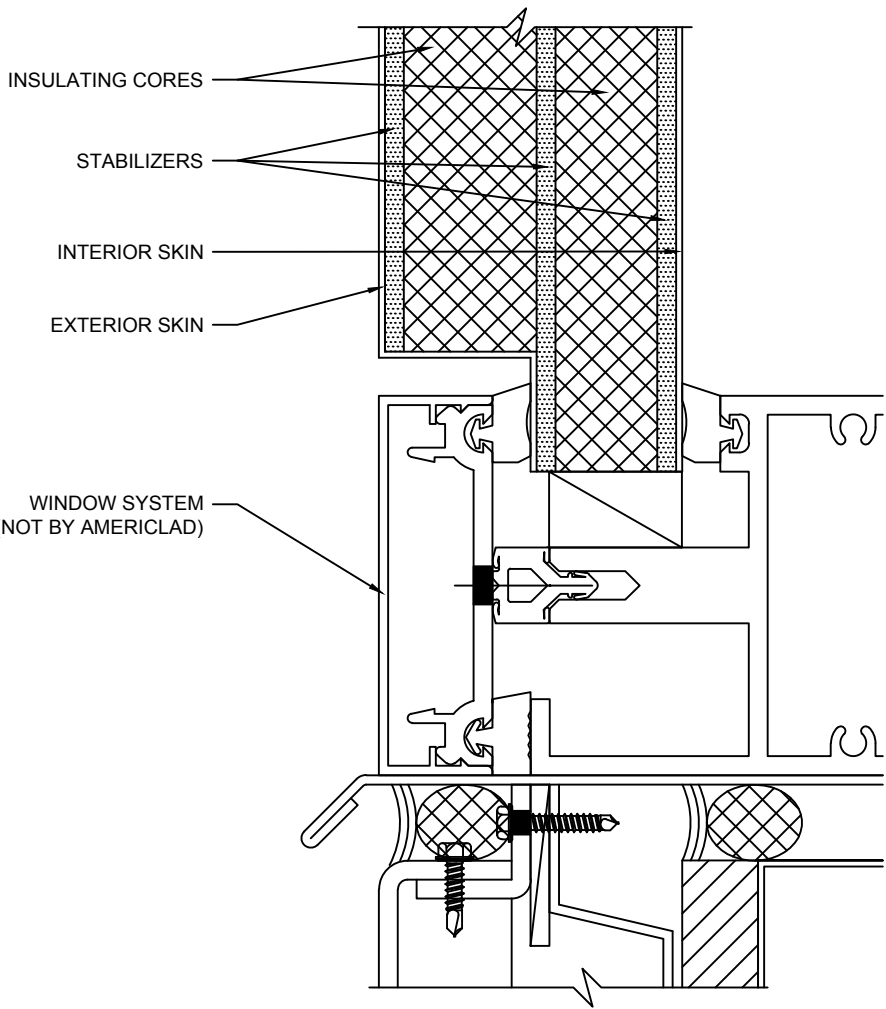
Architectural Metal Products



AC-4300

WINDOW SILL DETAIL

DETAIL B



COPYRIGHT QUALITY METALCRAFTS, LLC

21925 Industrial Boulevard · Rogers, Minnesota · Toll-Free: 1-866-260-4047 · americlad.com

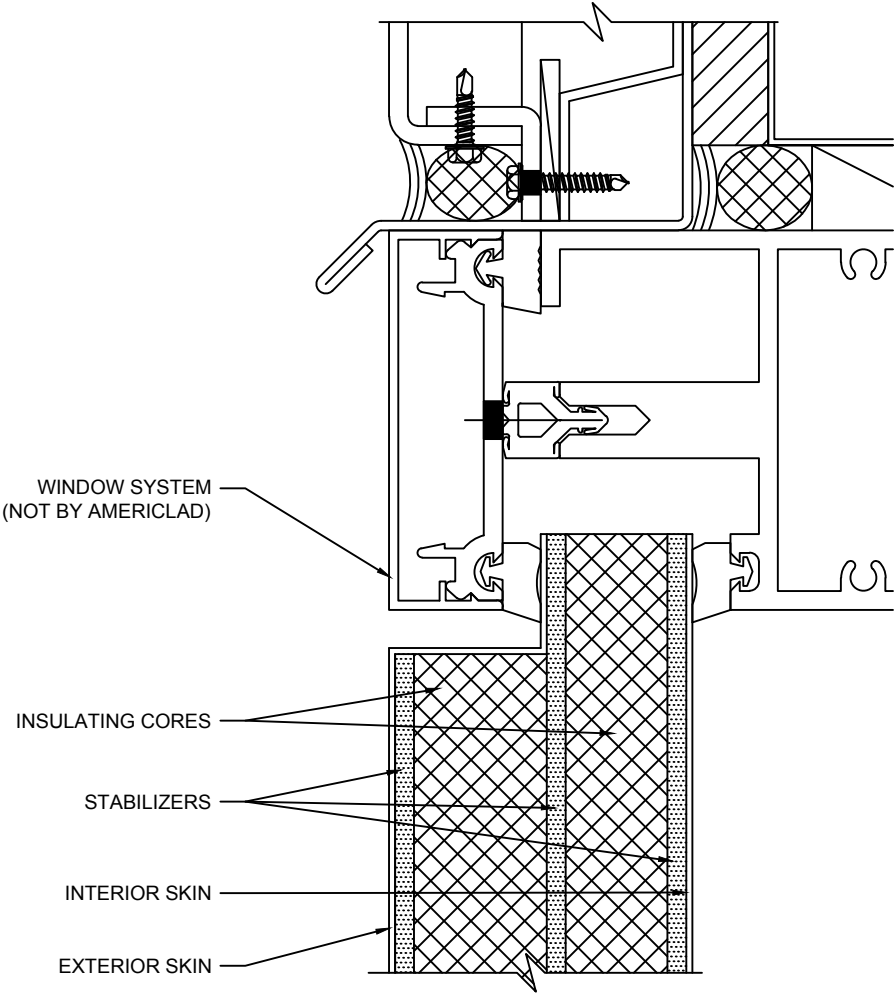
Architectural Metal Products



AC-4300

WINDOW HEAD DETAIL

DETAIL C



COPYRIGHT QUALITY METALCRAFTS, LLC

21925 Industrial Boulevard · Rogers, Minnesota · Toll-Free: 1-866-260-4047 · americlad.com

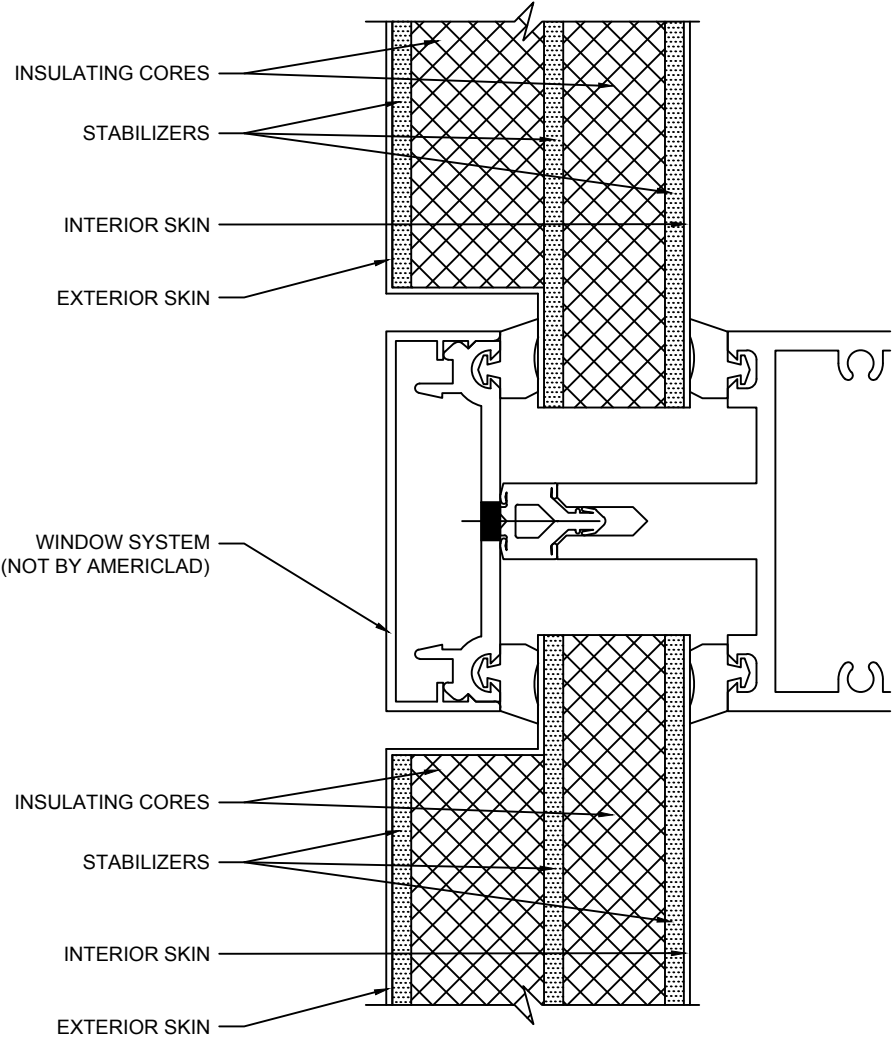
Architectural Metal Products



AC-4300

WINDOW INTERMEDIATE DETAIL

DETAIL D



COPYRIGHT QUALITY METALCRAFTS, LLC

21925 Industrial Boulevard · Rogers, Minnesota · Toll-Free: 1-866-260-4047 · americlad.com

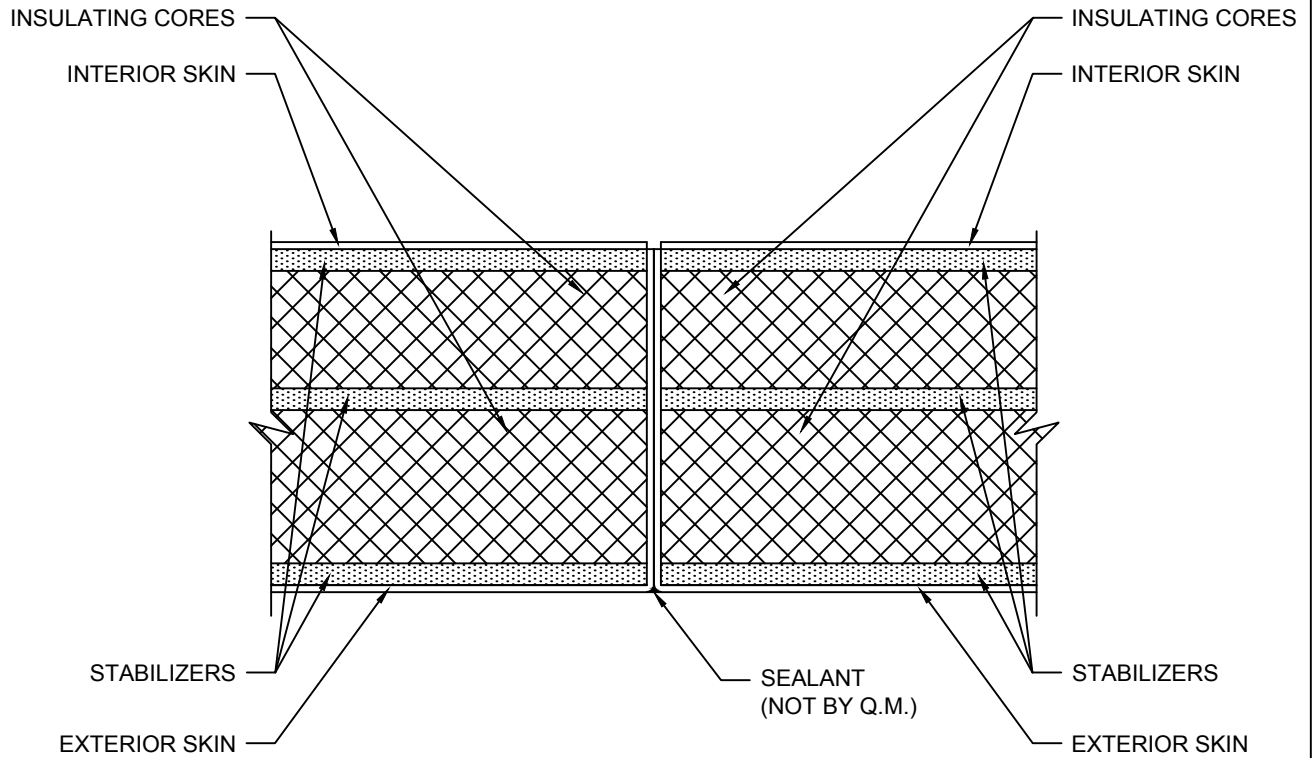
Architectural Metal Products



AC-4300

BUTT JOINT DETAIL

DETAIL E



COPYRIGHT QUALITY METALCRAFTS, LLC

21925 Industrial Boulevard · Rogers, Minnesota · Toll-Free: 1-866-260-4047 · americlad.com

Architectural Metal Products